

**KK37581 | THE RED CHAIR - Design:  
Kaare Klint**

---



## DESCRIPTION

Klint firmly believed that long-existing archetypes could and should inform contemporary design. In developing his Red Chair Series, he carefully studied several English chair designs, including the Chippendale, combining elements to create a new construction with a modern expression and excellent support.

First in the series was the Red Chair Large (1927), designed especially for the lecture hall at the new Danish Museum of Art and Design. In 1930, Klint designed the Large Red Chair with Armrests especially for Danish Prime Minister Thorvald Stauning's office along with a sofa to fit the grandeur of the historical setting at the Christiansborg Palace. Klint also developed the Small Red Chair (1928) and the Medium Red Chair (1933) to fit various tables.

The chair is made of solid wood and features leather seat and back.

---

## THE DESIGNER

**Kaare Klint** (1888-1954), the man behind classics such as **the Safari Chair** (<http://www.youtube.com/embed/NSMc94KxefI?rel=0>) and the Faaborg Chair, is considered the father of Danish furniture design. For Kaare Klint, the son of architect Peder Vilhelm Jensen-Klint, exposure to architecture was a natural part of his early development. However, it was primarily as a furniture designer that Kaare Klint made his mark on Danish architecture.

**Kaare Klint** was born in 1888 in Frederiksberg and designed his first furniture in 1914, for the Faaborg Museum. From the beginning, Klint's furniture was characterized by harmony between his choice of form and materials, often inspired by earlier styles or other cultures.

Klint helped found the Royal Academy of Fine Arts Furniture School in 1923, and was appointed professor there in 1924. In this role, he inspired and taught a number of prominent Danish furniture designers, who went on to pave the way for the golden age of Danish design, from 1945 to 1975.

**Kaare Klint** also founded the Furniture and Spatial Design Department at the Royal Academy of Fine Arts, where he employed a teaching method considered radical in his day. He asked students to construct furniture items from the inside out, based on thorough pre-analysis. The outward style was less significant; instead, the focus was on function analysis, choice of materials, and material processing.

Klint's influence led to a comprehensive renewal of Danish furniture design. He demanded clear and logical structures, with nothing superficial - only honest, pure lines, the best materials, and genuine craftsmanship.

Experience Kaare Klint's classic - The 1933 Safari Chair

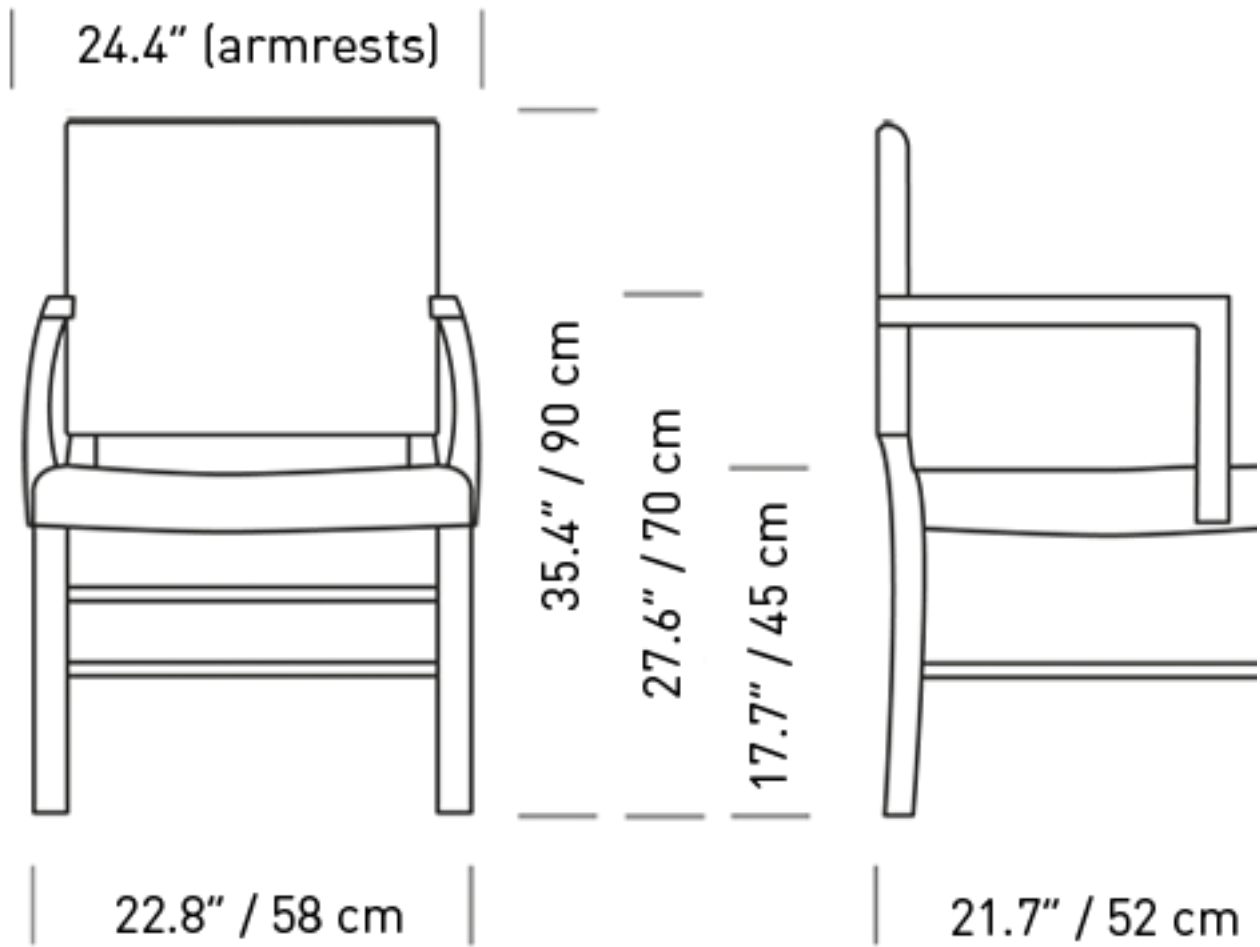
[\(https://www.carlhansen.com/products/lounge-chairs/kk47000/\)](https://www.carlhansen.com/products/lounge-chairs/kk47000/)

Watch the making of the Safari Chair

[\(https://www.youtube.com/embed/NSMc94Kxefl?rel=0\)](https://www.youtube.com/embed/NSMc94Kxefl?rel=0)

---

## VARIANTS CHOICES AND DIMENSIONS



---

## MATERIAL MATRIX

	Soap	Lacquer	Oil	White oil	Black paint
Oak	<input checked="" type="checkbox"/>	<input checked="" type="checkbox"/>	<input checked="" type="checkbox"/>	<input checked="" type="checkbox"/>	<input checked="" type="checkbox"/>
Walnut	<input checked="" type="checkbox"/>	<input checked="" type="checkbox"/>	<input checked="" type="checkbox"/>	<input checked="" type="checkbox"/>	<input checked="" type="checkbox"/>

---

## **ENVIRONMENTAL INFORMATION**

Carl Hansen & Søn and sustainability

People's fascination of the combination of good design and wood, as well as other natural materials, is something that transcends time and fashion. At Carl Hansen & Søn, we believe that this fascination helps to explain the great interest in our furniture, and we take very seriously concerns about the sustainability of the natural resources upon which we depend for our products. That is why we strive every day to improve our production methods, logistics and sales efforts in respect of scarce natural resources.

We buy wood only from sustainably managed forests. All sourced wood meets EUTR 2013 regulations, Danish Forest Legislation and current international certifications. Oak, beech and ash come primarily from Danish forests which are managed according to the principles described in Denmark's National Forest Programme; some of these wood types are also sourced from other similarly managed European forests, or, in the case of walnut and cherry, North American forests.

We use every possible bit of these fine hardwoods in our furniture production. Inevitably, however, there are some scraps, which are then used to produce other products or recycled in district heating plants.

---

## **TESTS AND CERTIFICATIONS**

All tests and certificates are available on request.

---

## **CONTACT INFORMATION**

### **EUROPE**

#### **Carl Hansen & Søn A/S**

Hylkedamvej 77-79

DK 5591 Gelsted

Denmark

Tel: +45 66 12 14 04  
info@carlhansen.com

### **Customer enquiries**

customerservice@carlhansen.dk

### **Press**

For all press-related inquiries, please contact [press@carlhansen.com](mailto:press@carlhansen.com)

### **Carl Hansen & Søn Flagship Store**

Bredgade 18, 21 & 23  
1260 Copenhagen K  
Denmark

#### Opening Hours:

Monday-Friday: 11.00 - 18.00

Saturday: 10.00 - 15.00

**NB:** Please note that Bredgade 18 is closed on Mondays. Saturday open by appointment only.

Phone: +45 64 47 23 60

[retail@carlhansen.dk](mailto:retail@carlhansen.dk)

### **Carl Hansen & Søn Showroom Oslo**

Drammensveien 130 B9  
0277 Oslo  
Norway

[Contact info Norway \(https://www.carlhansen.com/contact-info-norway/\)](https://www.carlhansen.com/contact-info-norway/)

### **Carl Hansen & Søn Showroom London**

16A Bowling Green Lane  
London  
EC1R 0BD  
United Kingdom

Tel: +44 (0) 20 7632 7587

Mail: [ukinfo@carlhansen.com](mailto:ukinfo@carlhansen.com)

## **Carl Hansen & Søn Italy SRL**

Showroom Milan

Foro Buonaparte 18/A/ Via Arco 4

20121 Milan

Tel: +39 02 89011837

Opening Hours:

Monday: 15.00-19.00

Tuesday-Friday: 10.00 - 19.00

Saturday by appointment only.

Sunday: closed

Area Manager Southern Europe

Ottorino Castegnaro

Tel: +39 340 4266636

Mail: [oc@carlhansen.dk](mailto:oc@carlhansen.dk)

## **AMERICA**

### **Carl Hansen & Søn Showroom New York**

251 Park Avenue South

13th Floor

New York, NY 10010

Tel: +1 212 242 6736

Customer Service: [Northamerica@carlhansen.com](mailto:Northamerica@carlhansen.com)

Contract Sales:

[Contract contact information US](https://www.carlhansen.com/contract-contact-information-us/)

[\(https://www.carlhansen.com/contract-contact-information-usa/\)](https://www.carlhansen.com/contract-contact-information-usa/)

Angela Patsiopoulos, Director of Retail Sales: [ap@carlhansen.com](mailto:ap@carlhansen.com)

## **ASIA / PACIFIC**

### **Carl Hansen & Søn Japan K.K.**

7F Esla Harajuku Bldg., 3-25-14 Jingumae  
Shibuya-ku 150-0001  
Tokyo, Japan

Tel: +81 3 5413 6771  
Fax: +81 3 5413 6772  
info@carlhansen.jp

**Carl Hansen & Søn Flagship Store Japan**

Aoyama Artworks 1/2F  
2-5-10 Jingumae  
Shibuya-ku, Tokyo, 150-0001  
Japan  
+81 3 5413 5421

Opening hours  
Mon-Fri: 11 am- 8 pm  
Sat. Sun. and  
National Holidays: 12 a m - 7pm

**Carl Hansen & Søn Asia Pacific Limited**

16th Floor, 202 Centre  
202-204 Des Voeux Road West  
Hong Kong

Tel: +852 563 10267  
Mail: asiainfo@carlhansen.dk

**Carl Hansen & Søn China**

Level 1, Building 22, No. 672 Changle Road  
Xuhui District, Shanghai  
China, 200030

Tel: +86 136 3217 4216  
Mail: chinainfo@carlhansen.dk



